

INSTALLATION INSTRUCTIONS

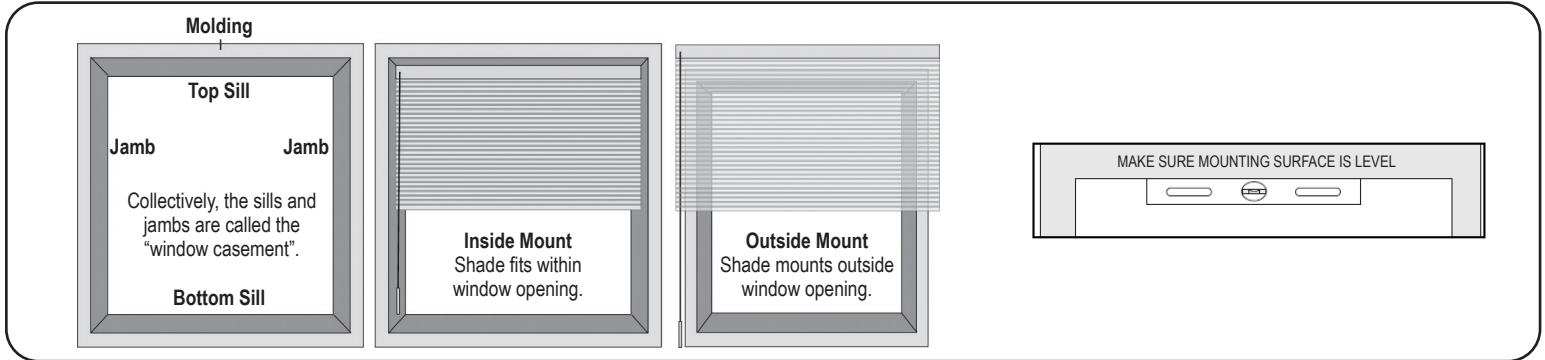
NATURAL WOVEN SHADES

Continuous Loop Control

Cordless Lift | Motorization

IMPORTANT If the installation brackets are mounted correctly, the rest of the installation process will follow easily. To prepare for this important first step, review the mounting types and basic window terminology illustrated below. Prior to mounting the brackets, add any clearance depth required to avoid obstructions such as window cranks or handles.

Mounting Types



Make sure mounting surface is level. Brackets must be in line and level. Shim brackets if necessary. **The head rail must be level for the shade to operate properly.**

1. Mounting the Brackets

Standard installation brackets may be used for INSIDE or OUTSIDE mounts. The (optional) ceiling mount brackets will normally be used for OUTSIDE ceiling mounts, but may also be used for limited surface-depth INSIDE mounts.

Installation Bracket Requirement Chart	
Shade Width	Brackets Required
10" to 36"	2
36-1/8" to 72"	3
72-1/8" to 96"	4
96"+ (2 and 3 on 1 headrail)	5

**Mounting Diagrams [INSIDE, OUTSIDE & CEILING MOUNTS] —
CORDLESS LIFT AND MOTORIZATION**

Screw through 2 holes:
Top holes (Inside or Ceiling)
Back holes (Outside)

Inside Mount Depth Requirements			
Bracket	Minimum Depth	Fully Recessed* 1-1/2" Depth Headrail	Fully Recessed* 2-1/2" Depth Headrail
Standard	1-1/8"	2-1/2"	2-1/2"
Ceiling	1-1/8"	2-1/2"	2-1/2"
Extension	1-7/8"	1-1/8"	3-1/2"

Outside Mount Surface Space Requirements	
Bracket	Minimum Depth
Standard	1-1/8"
Ceiling	1-1/8"
Extension	1-1/4"

Inside Mounts: The standard (or extension) brackets may be screwed in place through two diagonal back (to wall surface) or top (to ceiling surface) bracket holes. Refer to the depth chart above.

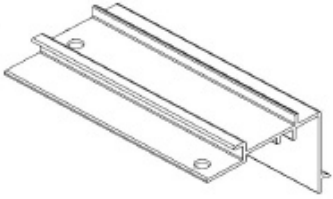
The "Fully Recessed" depth requirements include space for the woven wood material attached to the front (valance) and back (shade) sides of the headrail. These are AVERAGE depths as the different woven wood materials have varying degrees of thickness. Verify your individual shade's depth (front to back) before mounting and then position brackets accordingly for an EXACT flush mount.

NOTE: Continuous Loop Control and motorized shades are only built on the 2-1/2" depth headrail and require 2-3/4" for a fully recessed mount depth. Cordless Lift shades are only built on 1-1/2" depth headrail. Prior to mounting the brackets, add any clearance depth required to avoid obstructions such as window cranks or handles.

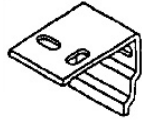
Outside Mounts: The standard (or extension) brackets may be screwed in place through two diagonal back (to wall surface) or top (to ceiling surface) bracket holes. For ceiling mounts the optional ceiling mount brackets only have top holes. Refer to the depth chart above.

INSTALLATION INSTRUCTIONS

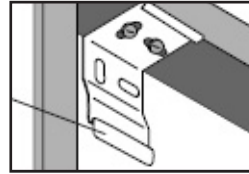
1a. Mounting the Brackets - Continuous Loop



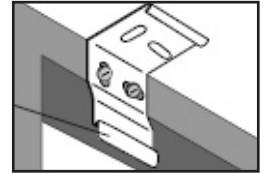
Bracket Connectors



Installation Bracket



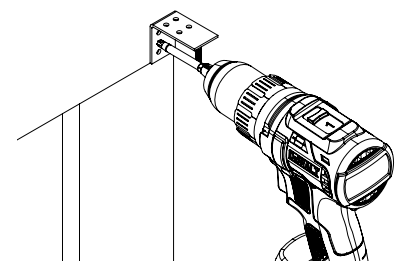
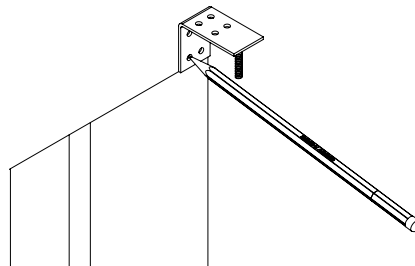
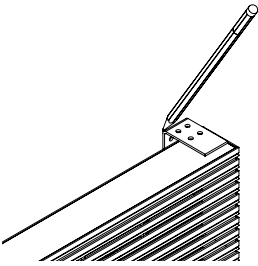
Inside Mount



Outside Mount

Align brackets to routed holes in the shade's headrail for mounting. Simply position so that the brackets are aligned with the pre-attached bracket connectors already attached to the shade headrail. To ensure proper shade operation, mount the brackets level. Shim the brackets if necessary to achieve a level alignment. The brackets may be mounted inside the frame or into the back encasement like an outside mount using the rear holes. Make sure the release tab is mounted on the bottom.

1b. Mounting the Brackets - Cordless Lift & Motorization



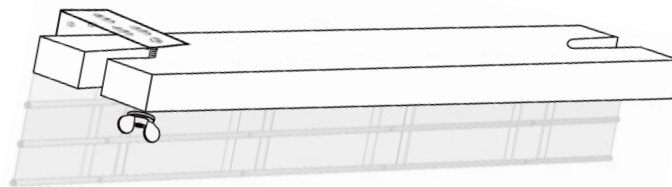
Attach the brackets to the shade, placing the screw bolt through each route. Hold the shade up and mark the bracket or drill hole positions. Align brackets to the marked positions and secure through two holes, ensuring that the bracket tops are aligned and level to one another.

Spacer blocks (optional) will be attached to the end of each bracket. Ensure screws are long enough to secure brackets with spacer blocks. Do not use more than three spacer blocks per bracket. If installing extension brackets, do not use spacer blocks.

2. Installing the Shade

2a. Installing the Shade - Cordless Lift & Motorization

Wood Headrail
1-1/2" or 2-1/2" Depth

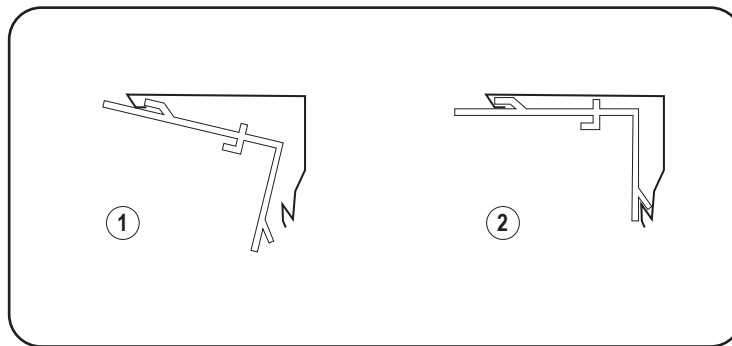


With the front side of the shade facing you lift the shade into bracket bolts until bolts are visible through headrail routes. Tightly secure each bolt with wing nuts. To REMOVE shade, maintain hold on shade and loosen wing nuts.

INSTALLATION INSTRUCTIONS

2. Installing the Shade

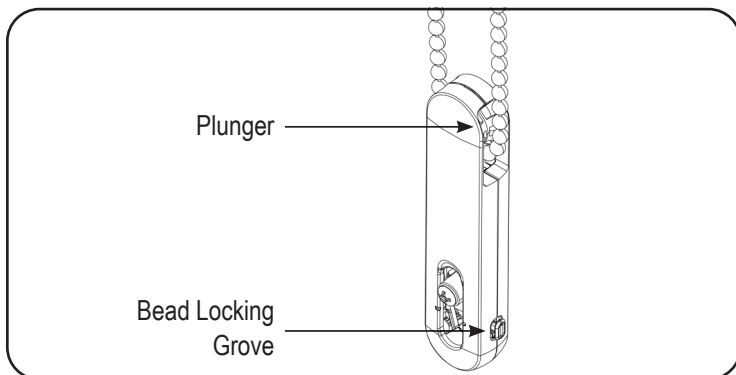
2b. Installing the Shade - Continuous Loop



- (1) Position the shade with the front hook of the pre-attached, headrail bracket connector resting on the top lip of all mounted brackets.
- (2) Push the bottom front of the shade headrail firmly backwards and toward the window until the lip on the rear of the pre-attached headrail bracket connector engages the mounting bracket and snaps into place, as shown.

To REMOVE shade, from the bottom rear of the shade headrail, insert a flathead screwdriver in between the headrail bracket connector and bracket. Gently twist the screwdriver and pry open the bracket to release it from the bracket connector. Support the shade as the brackets are released.

3. Attaching the Cord Tensioner - Continuous Loop Control Shades



NOTE: For the shade to operate properly, the tensioner must be correctly mounted and secured.

[Click this link](#) to refer to the Installation Instructions for the Bead Chain Loop, Universal Cord Tensioner

4. Operating the Shade

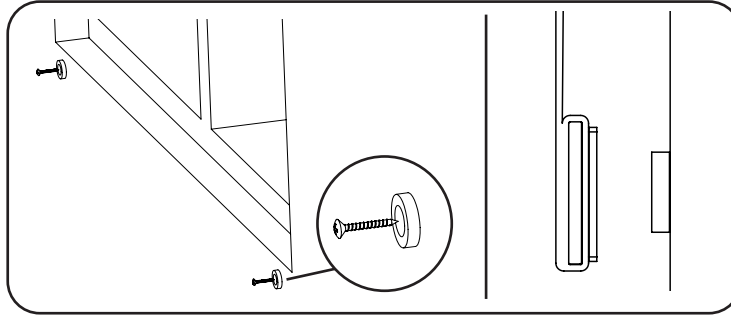
Continuous Loop Control Shades: To raise and lower the shade, pull down on the chain to raise and lower. One side of the loop will raise the shade and one side will lower it. If continuously pulled after lowering, the shade will begin to rise.

NOTE: Do not raise shade any higher than it was intended to go. If shade binds, check rear cord alignment to ensure the cords are not jamming. If shade does not raise evenly, in most cases lowering it completely will allow cords to re-align on the shaft.

Cordless Lift Shades: To raise and lower the shades, grasp the bottom hem with both hands. Move the shade up or down to the desired position using the bottom hem.

INSTALLATION INSTRUCTIONS

5. Attaching the Magnetic Hold Down Brackets (Optional)



Insert the screw into the magnet and place the magnet onto the catch.

Lower the shade to the preferred position for the magnetic hold down.

Press the screw against the mounting surface to mark the position of the magnet on the wall.

Raise the shade and detach the screw and catch.

Install the magnet onto the marking made with the screw.

Note: Detach the bottom rail from the magnet prior to operating the shade.

Child Safety

⚠ WARNING	
⚠ ADVERTENCIA	
Window Blind Cord Strangulation Risk	
Window Blinds with a damaged or loose tension device or retractable cord that fails to fully retract pose a strangulation risk to children. To avoid this potential strangulation risk, consider purchasing cordless products or products with inaccessible cords.	
Riesgo de Estrangulamiento en Cuerdas de Persianas	
Las persianas con un dispositivo tensor suelto o dañado o con una cuerda retractable que no se ajusta completamente representan un riesgo de estrangulación para los niños. Para evitar un posible riesgo de estrangulamiento, considere comprar productos inalámbricos o productos con cuerdas inaccesibles.	

